

FALCON[®]

ROLLER SHUTTER



700% more
light



700% more
airflow



Anti-theft
protection



ROLETARSTVO

MEDLE

www.medle.si

FALCON[®]

ROLLER SHUTTER

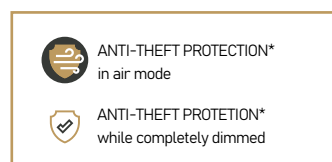
- NEW innovative roller shutterIt
- combines the good qualities of shutters and blinds
- **700% MORE LIGHT**
- **700% MORE AIRFLOW**
- Significantly stronger
- Compact design
- Long service life
- Easy maintenance
- Multifunctionality
- Thermal overheating protection
- **ANTI-THEFT PROTECTION IN AIR MODE***
- Ensuring privacy

* protected by model and patent



ROLLER SHUTTER SYSTEMS

The FALCON slats can be installed in all roller shutter systems that are available on our market (external mount-on visible, external concealed, built-in boxes).



SYSTEM OPTIONS BASED ON OPERATION TYPE

	AUTOMATON with stripe, Crank handle	EM - Standard, Plug & Play	EM - ELERO ROLLMOTION + ADC-FALCON
Air mode WITHOUT anti-theft protection	X	X	
ANTI-THEFT PROTECTION* while completely dimmed		X	X
ANTI-THEFT PROTECTION* in air mode			X

MARGINAL VALUES

min. 60cm
max. 300cm

min. 60cm
max. 270cm

max. 7,0m²

* Wind class 4

SLAT FEATURES



ALU slats FALCON are filled with insulation - polyurethane foam, standard fitted with anti-theft springs. Machine slat binding ensures a quieter and more reliable operation. The aluminum plate of the slats is significantly thicker and stronger than conventional roller blinds.

COLOURS:

01
WHITE

02
D. CHOCO

03
SILVER

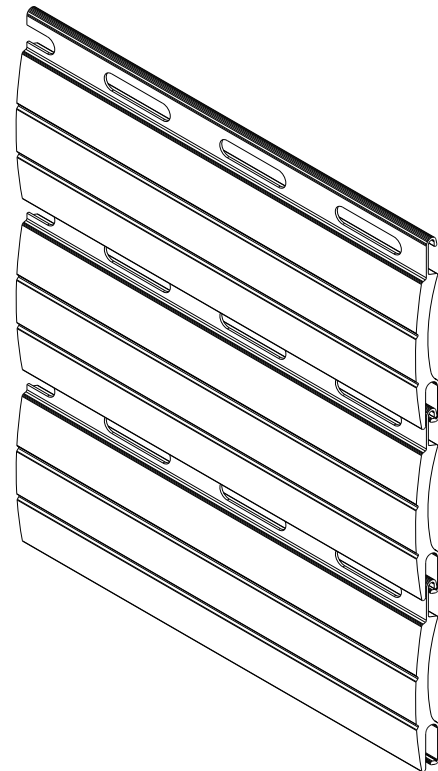
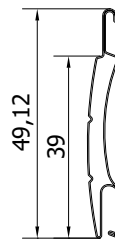
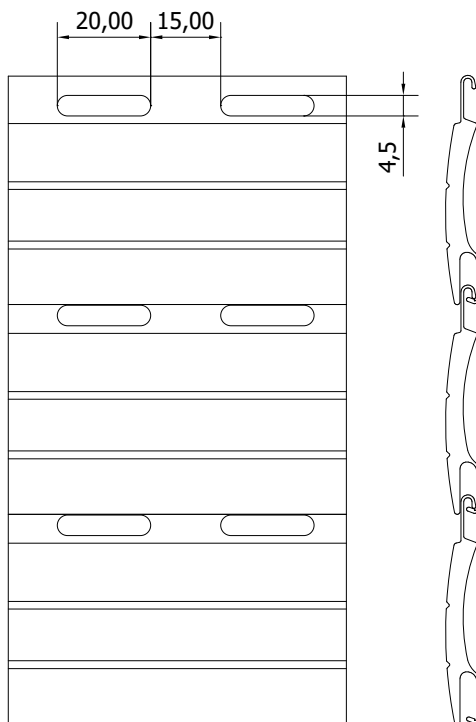
04
BEIGE

11
ANTICO GRIGIO

12
ANTHRACITE

52
DB 703

WARNING: Certain colors on the scale may deviate from the original!



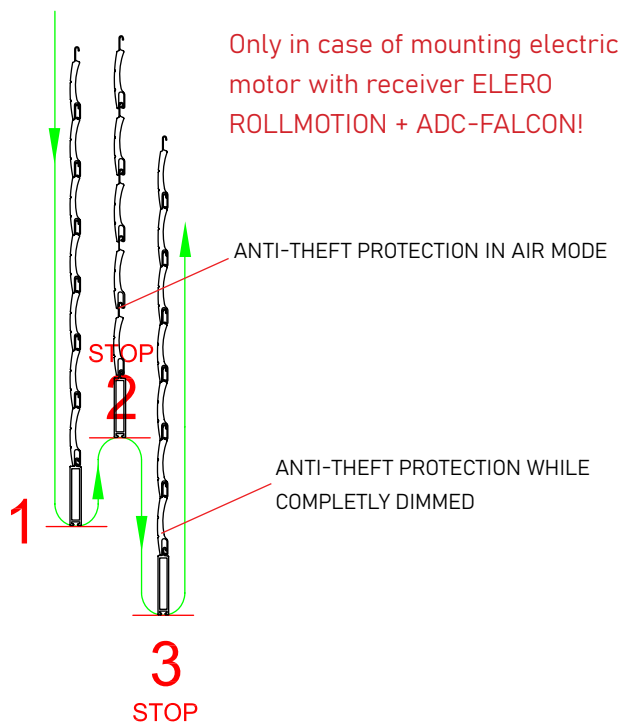
CONTROL



THE SIZES OF CABINETS REGARDS THE HEIGHT OF THE BLINDS

size of cabinet	FALCON	FALCON + mosquito net
13,7	105,0 cm	-
15	130,0 cm	105,0 cm
16,5	195,0 cm	130,0 cm
18	245,0 cm	210,0 cm
19	270,0 cm	250,0 cm
INLINE + MRB	220,0 cm (window height)	220,0 cm (window height)

ANTI-THEFT PROTECTION FUNCTION



EXTRA CHARGE

- FALCON SLATS - built inside roller shutter
- FALCON SLAT SURFACE - custom dimension with slat bindings
- ELECTRIC MOTORS
- REMOTE CONTROLS



FALCON[®]
ROLLER SHUTTER



ROLETARSTVO MEDLE d.o.o.
Podbevškova ulica 48
8000 Novo mesto, Slovenia

☎ 00386 7 39 30 930
✉ info@medle.si